

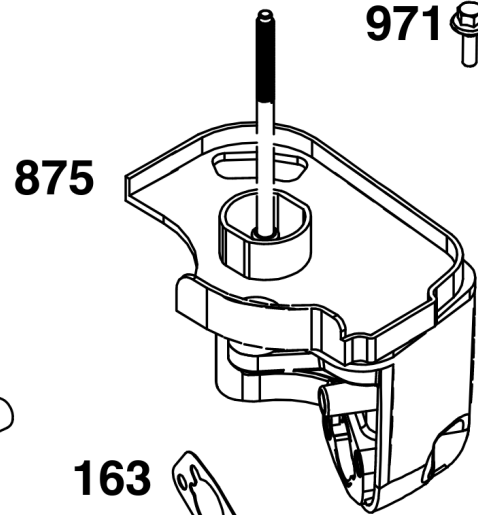
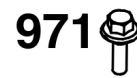
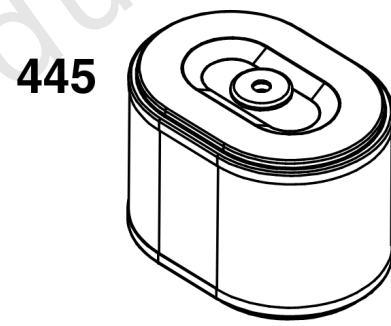
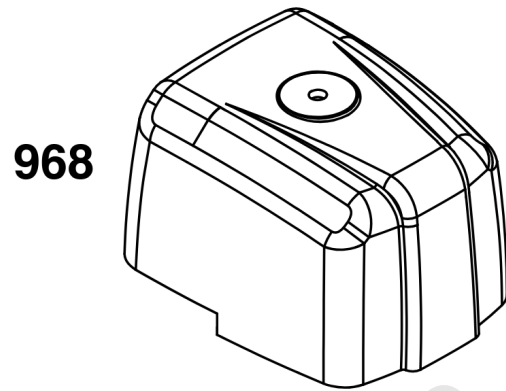


Parts Manual

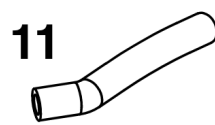
Mfg. No: 13R232-0003-F1

Model Components	Page
Air Cleaner Group.....	4
Blower Housing.....	6
Carburetor Group.....	8
Controls Group.....	10
Crankcase Cover/Sump and Lubrication Group.....	12
Crankshaft Group.....	14
Cylinder Group.....	16
Cylinder Head Group.....	18
Exhaust Group.....	20
Flywheel, Ignition, and Starter Group.....	22
Fuel Supply Group.....	24
Replacement Engine - US & Canada.....	26
Service Parts and Tools Group.....	27

Not For
Reproduction



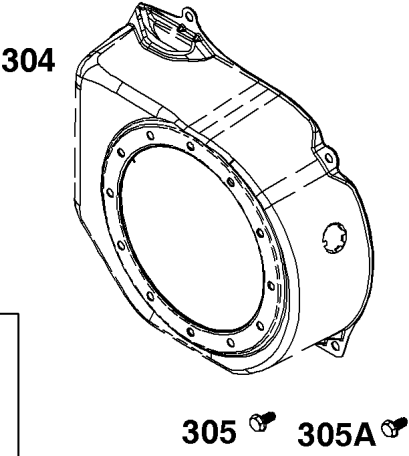
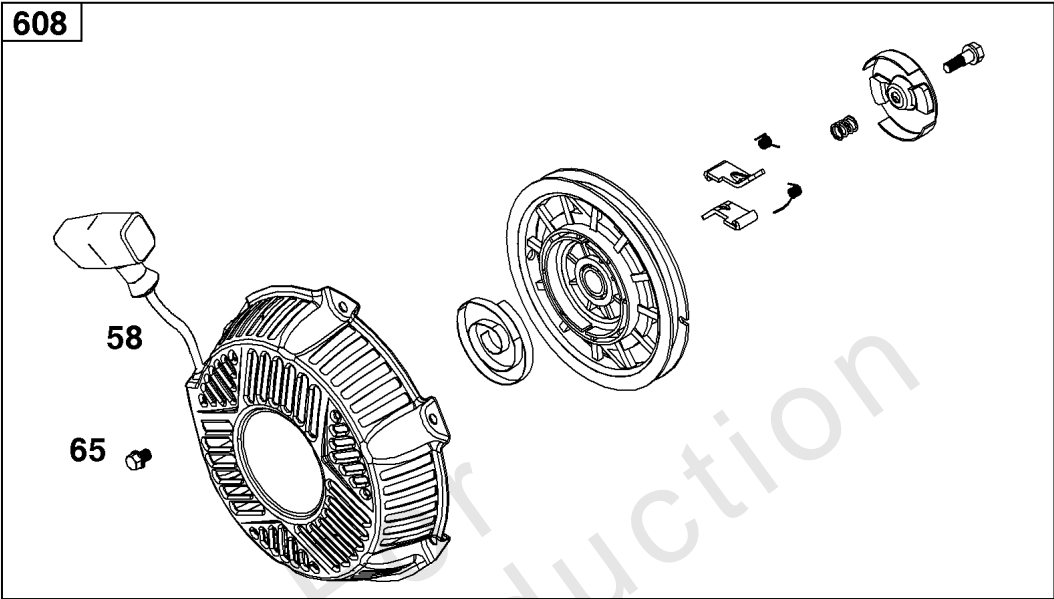
654 



Air Cleaner Group

REF NO	PART NO	QTY	DESCRIPTION
11	590698	1	TUBE, Breather
163	590605	1	GASKET, Air Cleaner
176	590695	1	SEAL, O-Ring -(Air Cleaner Base)
412	590697	1	NUT -(Air Cleaner Cover)
445	595435	1	FILTER, A/C Cartridge
467	691985	1	KNOB, Air Cleaner Cover
654	-----	2	NUT -(Part information located in Carburetor Group.)
875	84007293	1	BASE, Air Cleaner
968	597384	1	COVER, Air Cleaner
971	590643	1	SCREW -(Air Cleaner Base to Carburetor/Throttle Body)

Not For Reproduction



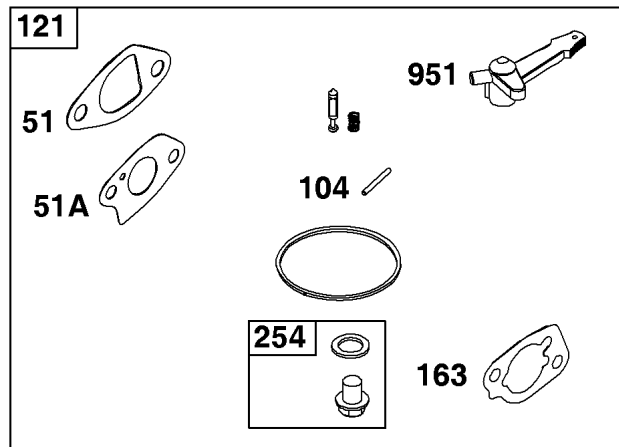
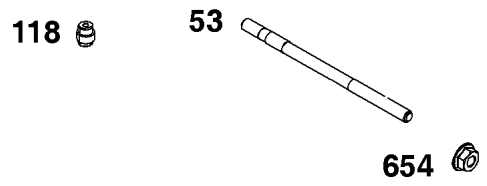
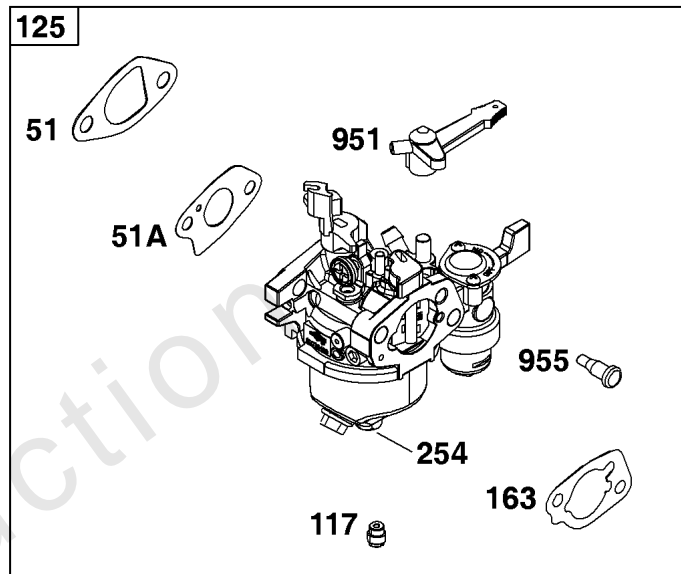
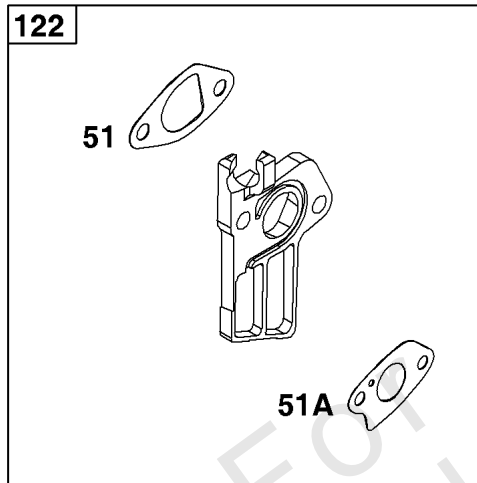
Blower Housing

REF NO	PART NO	QTY	DESCRIPTION
58	693389	1	ROPE, Starter -(Cut To Required Length)
65	590683	3	SCREW -(Rewind Starter)
304	-----	1	HOUSING, Blower
305	590850	4	SCREW -(Blower Housing)
305A	597078	4	SCREW -(Blower Housing)
608	590607	1	STARTER, Rewind

Not For
Reproduction

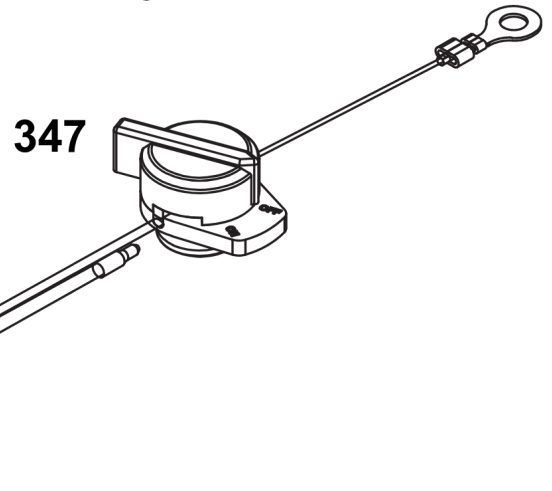
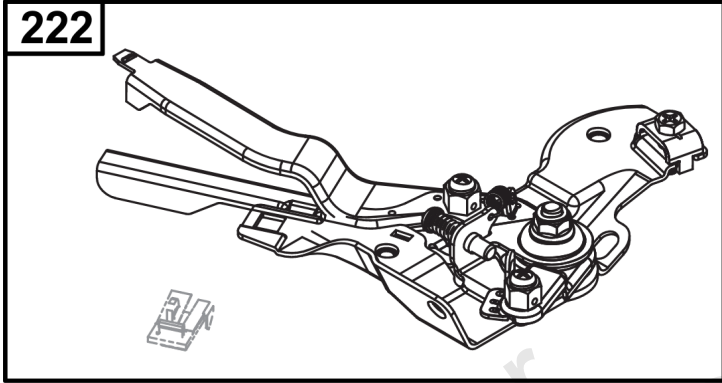
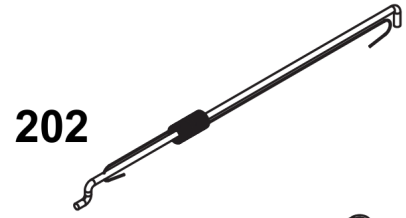
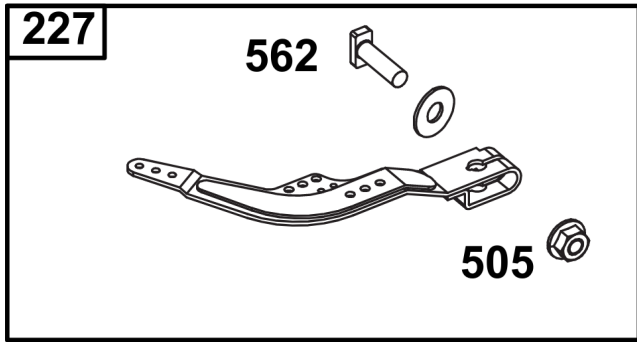
Footnotes:

(Not Available Individually)



Carburetor Group

REF NO	PART NO	QTY	DESCRIPTION
51	-----	1	GASKET, Intake -(Part information located in Cylinder Head Group.)
51A	-----	1	GASKET, Intake -(Part information located in Cylinder Head Group.)
53	590691	2	STUD -(Carburetor)
104	592486	1	PIN, Float Hinge
117	591861	1	JET, Main -(Standard)
118	592875	1	JET, Main -(High Altitude)
121	594958	1	KIT, Carburetor Overhaul -(Service Kits may include extra parts not specific to this engine.)
122	590615	1	SPACER, Carburetor
125	596080	1	CARBURETOR
163	-----	1	GASKET, Air Cleaner -(Part information located in Air Cleaner Group.)
254	592493	1	DRAIN, Carburetor Bowl
654	590692	2	NUT -(Carburetor)
951	590614	1	LEVER, Choke
955	595329	1	PLUG, Carburetor

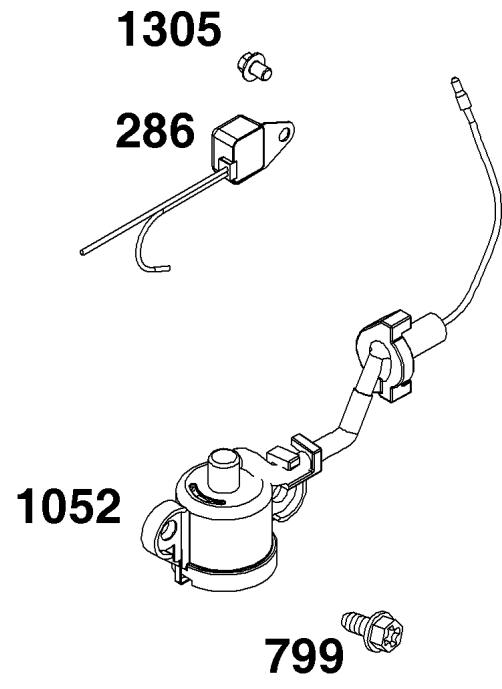
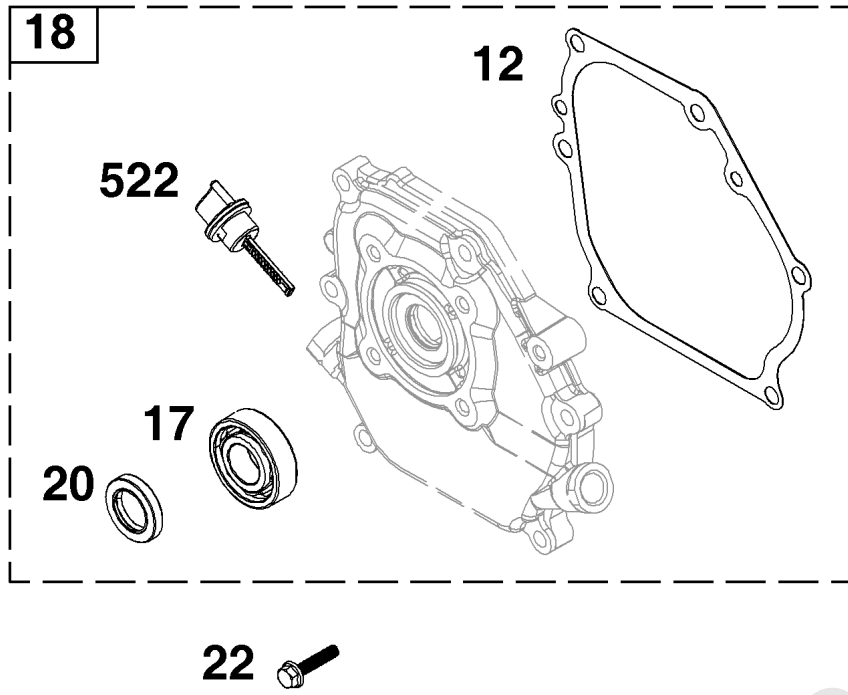


Not For
Reproduction

Controls Group

REF NO	PART NO	QTY	DESCRIPTION
188	590850	2	SCREW -(Control Bracket)
202	592866	1	LINK, Mechanical Governor
209	590623	1	SPRING, Governor
222	84007479	1	BRACKET, Control
227	590660	1	LEVER, Governor Control
347	597430	1	SWITCH, Rocker
505	590641	1	NUT -(Governor Control Lever)
562	590640	1	BOLT -(Governor Control Lever)

Not For Reproduction

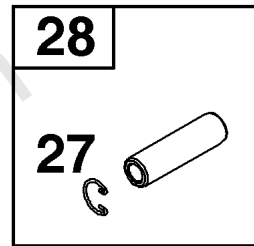
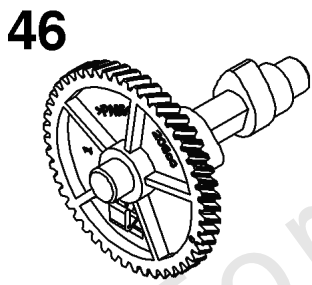
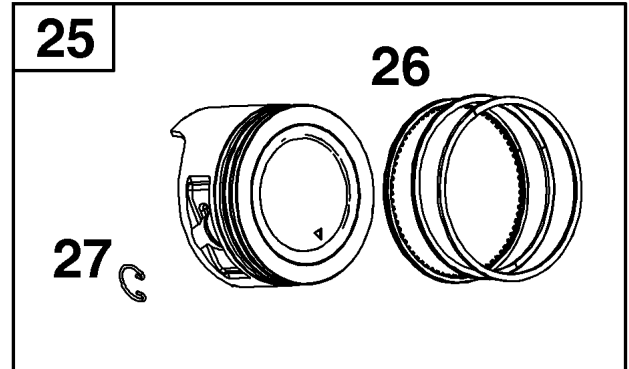
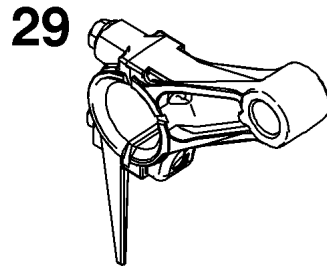
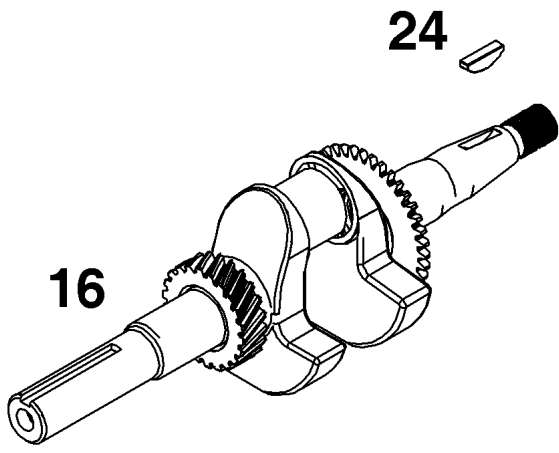


Not For
Reproduction

Crankcase Cover/Sump and Lubrication Group

REF NO	PART NO	QTY	DESCRIPTION
12	590608	1	GASKET, Crankcase
17	590715	1	BEARING, Ball
20	590712	1	SEAL, Oil -(PTO Side)
22	590714	6	SCREW -(Crankcase Cover/Sump)
286	594949	1	MODULE, Oil Sensor
522	590716	2	PLUG, Dipstick/Fill
799	590703	2	SCREW -(Oil Sensor)
1052	594950	1	SENSOR, Oil
1305	590683	1	SCREW -(Oil Sensor Module)

Not For Reproduction




Not For
Reproduction

Crankshaft Group

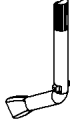
REF NO	PART NO	QTY	DESCRIPTION
16	84006733	1	CRANKSHAFT
24	797286	1	KEY, Flywheel
25	592955	1	PISTON ASSEMBLY
26	592957	1	SET, Ring
27	590664	2	LOCK, Piston Pin
28	590663	1	PIN, Piston
29	590665	1	ROD, Connecting
46	595562	1	CAMSHAFT

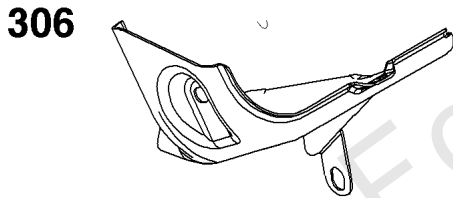
Not For Reproduction

1319  1319A 

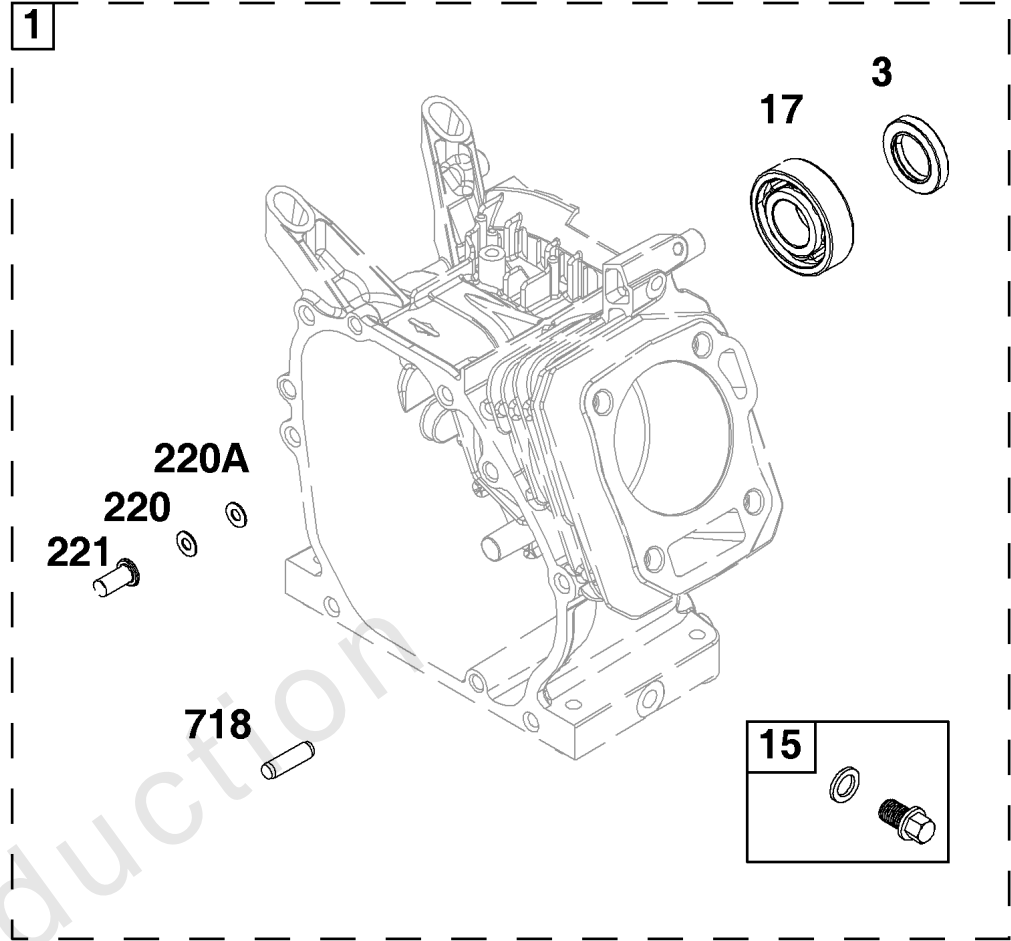
614 

404 

616 

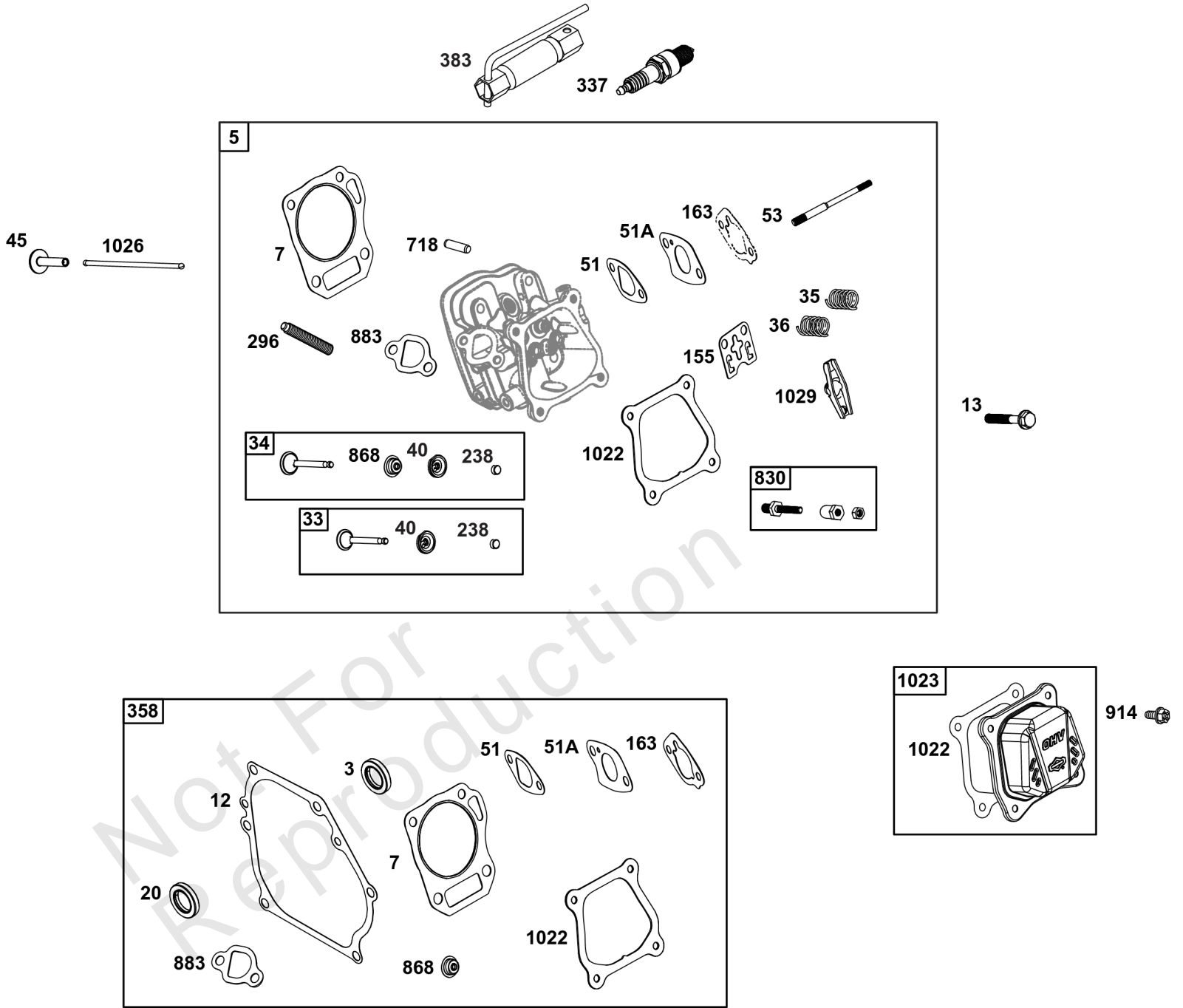


307 



Cylinder Group



REF NO	PART NO	QTY	DESCRIPTION
1	-----		Cylinder Assembly -(Currently Not Available)
3	590712	1	SEAL, Oil -(Magneto Side)
15	590678	2	PLUG, Oil Drain
17	590715	1	BEARING, Ball
220	590677	1	WASHER -(Governor Gear)
220A	590675	1	WASHER -(Governor Gear)
221	590676	1	CUP, Governor
306	590636	1	SHIELD, Cylinder
307	590683	2	SCREW -(Cylinder Shield)
404	590669	1	WASHER -(Governor Crank)
614	590670	1	PIN, Cotter
616	590668	1	CRANK, Governor
718	590713	2	PIN, Locating
1319	794467	1	LABEL, Warning
1319A	797669	1	LABEL, Warning

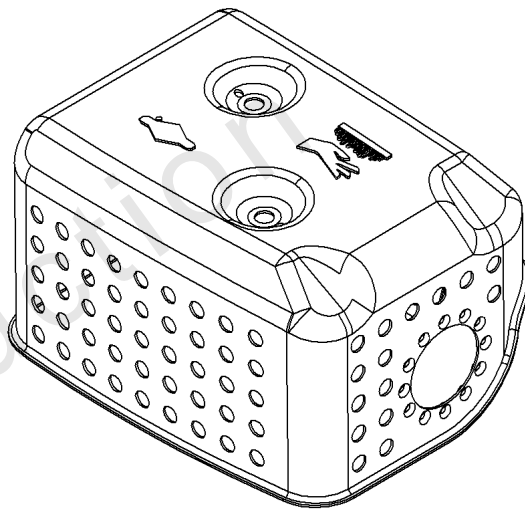




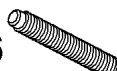
Cylinder Head Group

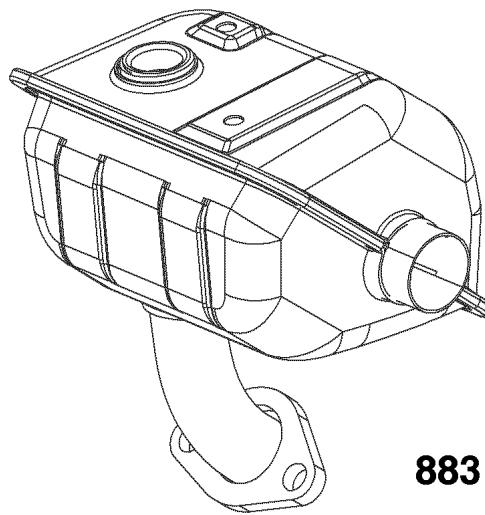
REF NO	PART NO	QTY	DESCRIPTION
3	-----	1	SEAL, Oil -(Part information located in Cylinder Group.)
7	591445	1	GASKET, Cylinder Head
12	-----	1	GASKET, Crankcase -(Part information located in Crankcase Cover/Sump and Lubrication Group.)
13	590639	4	SCREW
20	-----	1	SEAL, Oil -(Part information located in Crankcase Cover/Sump and Lubrication Group.)
33	591448	1	VALVE, Exhaust
34	591447	1	VALVE, Intake
35	590650	1	SPRING, Valve -(Intake)
36	590650	1	SPRING, Valve -(Exhaust)
40	590654	2	RETAINER, Valve
45	591449	2	TAPPET, Valve
51	590612	1	GASKET, Intake
51A	590613	1	GASKET, Intake
53	-----	1	STUD -(Part information located in Carburetor Group.)
155	592874	1	PLATE, Cylinder Head
163	-----	1	GASKET, Air Cleaner -(Part information located in Air Cleaner Group.)
238	590649	2	CAP, Valve
337	491055S	1	PLUG, Spark
337	84007216		PLUG, SPARK -(China Only)
358	594951	1	GASKET SET, Engine
383	590721	1	WRENCH, Spark Plug
830	590653	2	STUD, Rocker Arm
868	590648	1	SEAL, Valve
883	-----	1	GASKET, Exhaust -(Part information located in Exhaust Group.)
914	590850	4	SCREW
1022	797194	1	GASKET, Rocker Cover
1023	592903	1	COVER, Rocker
1026	590658	2	ROD, Push
1029	590651	2	ARM, Rocker


300

836 
1302 



1177 
1449 
296 

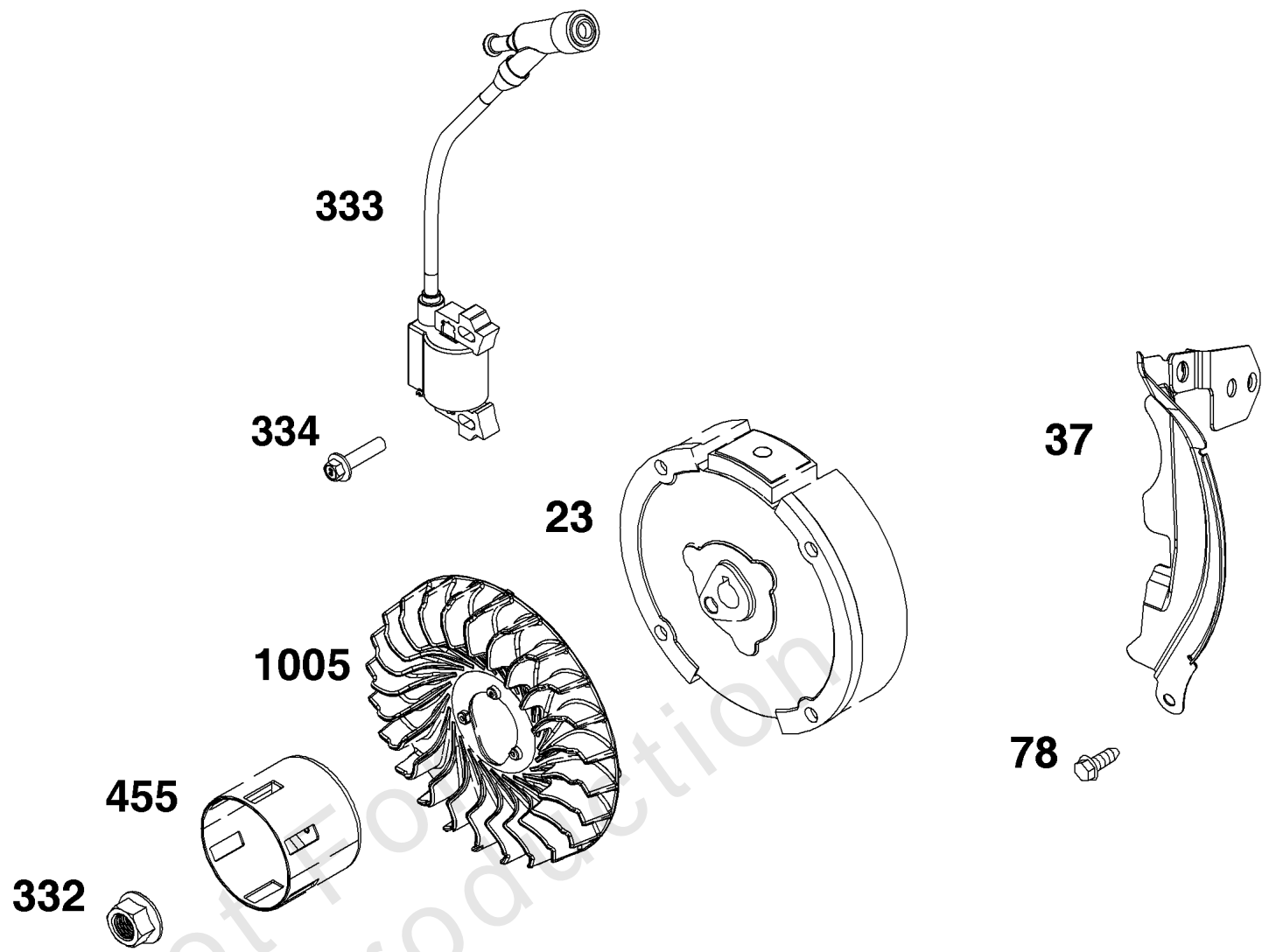


883 

Exhaust Group

REF NO	PART NO	QTY	DESCRIPTION
296	590631	2	STUD -(Muffler)
300	594954	1	MUFFLER
836	590711	4	SCREW -(Muffler Guard)
883	591156	1	GASKET, Exhaust
1177	590632	2	NUT -(Muffler)
1302	596668	2	WASHER -(Muffler Guard)
1449	590633	2	WASHER -(Muffler)

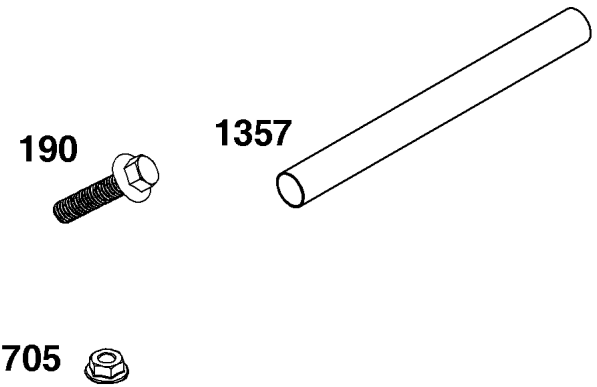
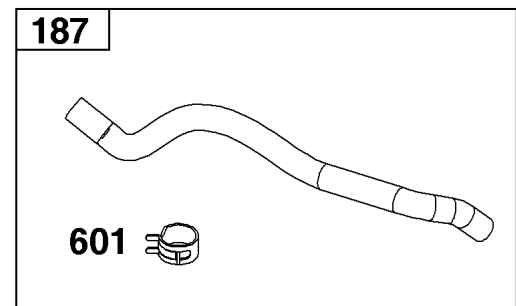
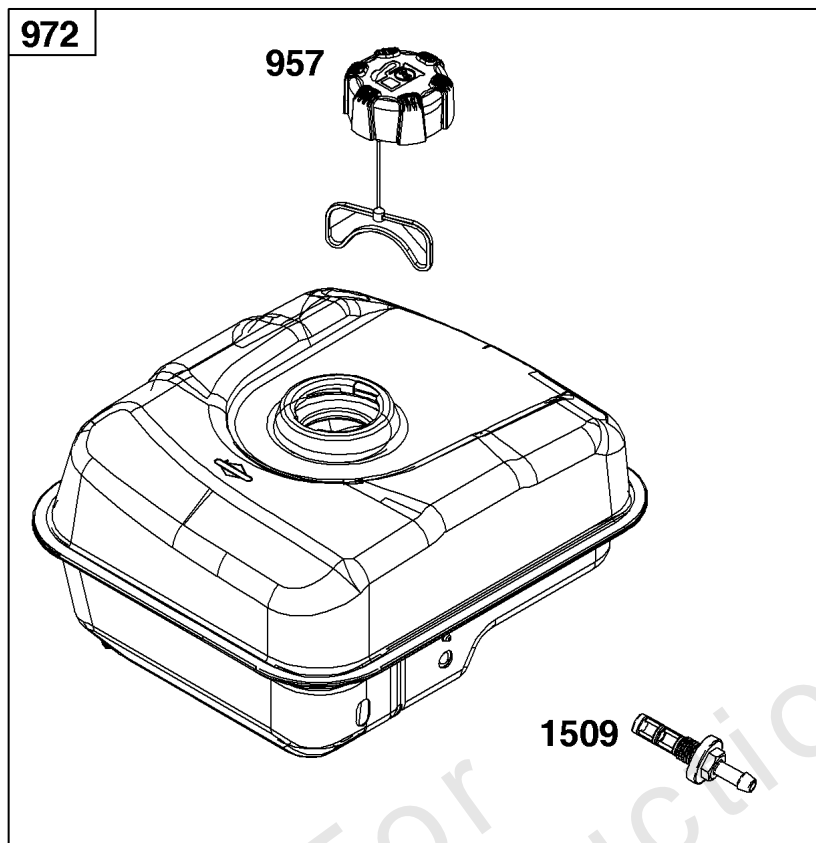
Not For Reproduction



Flywheel, Ignition, and Starter Group

REF NO	PART NO	QTY	DESCRIPTION
23	590681	1	FLYWHEEL
37	595436	1	GUARD, Flywheel
78	590643	1	SCREW -(Flywheel Guard)
332	590635	1	NUT -(Flywheel)
333	590603	1	ARMATURE, Magneto
334	590644	2	SCREW -(Magneto Armature)
455	590682	1	CUP, Flywheel
1005	590679	1	FAN, Flywheel

Not For Reproduction



Not For
Reproduction

Fuel Supply Group

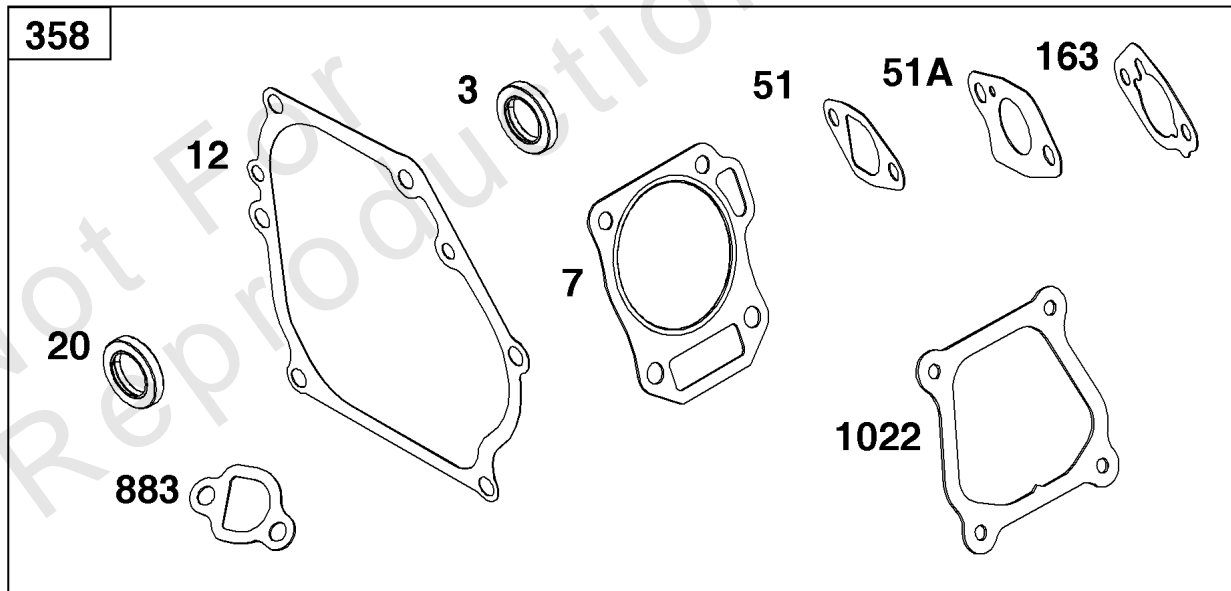
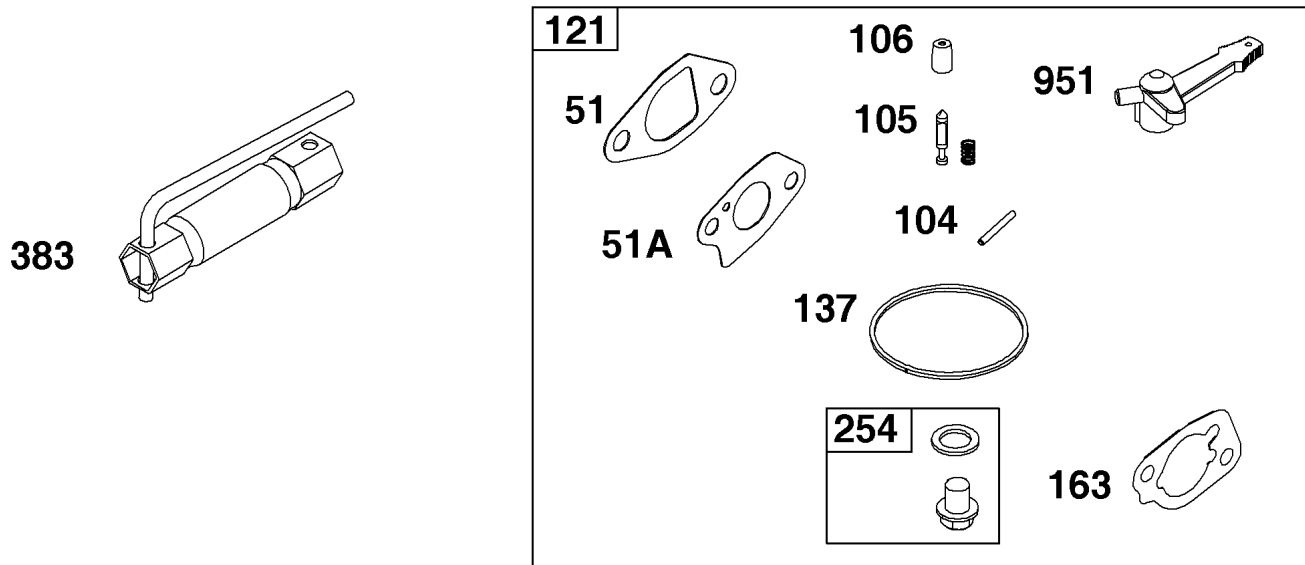
REF NO	PART NO	QTY	DESCRIPTION
187	791766	1	LINE, Fuel
190	591476	1	SCREW -(Fuel Tank)
601	791850	2	CLAMP, Hose
705	590692	2	NUT -(Fuel Tank)
957	799324	1	CAP, Fuel Tank
972	595650	1	TANK, Fuel
1357	590688	1	SLEEVE, Fuel Line
1509	-----	1	OUTLET, Tank -(Not Available Individually) (See Reference 972 For Replacement)

Not For Reproduction

Replacement Engine - US & Canada

REF NO	PART NO	QTY	DESCRIPTION
--------	---------	-----	-------------

Not For Reproduction



Service Parts and Tools Group

REF NO	PART NO	QTY	DESCRIPTION
3	590712	1	SEAL, Oil
7	591445	1	GASKET, Cylinder Head
12	590608	1	GASKET, Crankcase
20	590712	1	SEAL, Oil -(PTO Side)
51	590612	1	GASKET, Intake
51A	590613	1	GASKET, Intake
104	592486	1	PIN, Float Hinge
105	-----		VALVE, Inlet -(Not Available Individually) (See Reference 121 For Replacement)
106	-----		SEAT, Inlet -(Not Available Individually) (See Reference 121 For Replacement)
121	594958		KIT, Carburetor Overhaul -(Service Kits may include extra parts not specific to this engine.)
137	-----		GASKET, Float Bowl -(Not Available Individually) (See Reference 121 For Replacement)
163	590605	1	GASKET, Air Cleaner
254	592493	1	DRAIN, Carburetor Bowl
358	594951		GASKET SET, Engine -(Service Kits may include extra parts not specific to this engine.)
383	590721		WRENCH, Spark Plug
883	591156	1	GASKET, Exhaust
951	590614	1	LEVER, Choke

